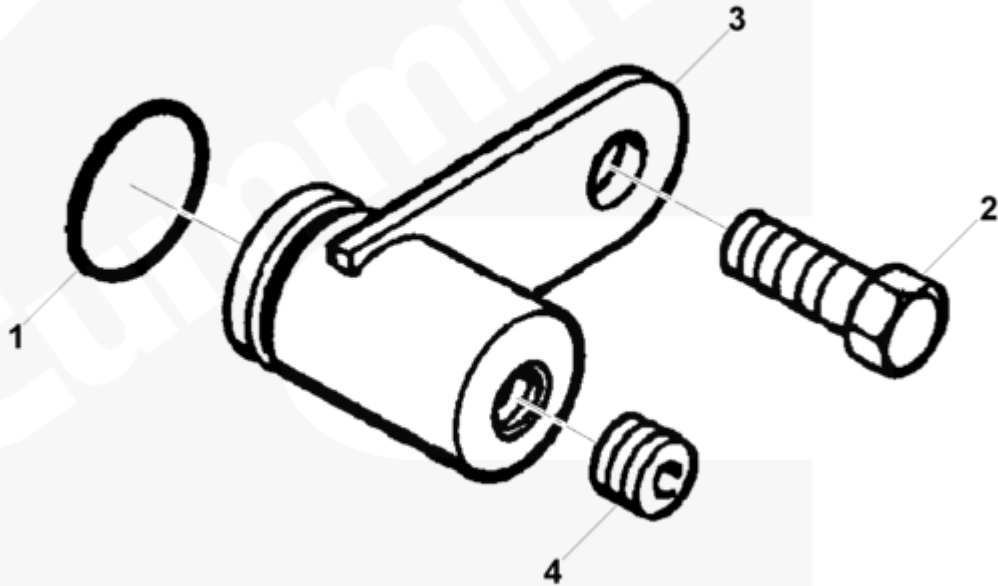




Parts Catalog - Option Detail

Electronic Parts Catalog - Option Detail				
Option	Group	Graphic	Film Card	Date
CI2705-02	12.01.1	fe200gb	II	18-DEC-03
Engines	ISM CM570, ISM CM570/870, ISM CM875, ISM CM876, ISM CM876 E, ISM11 CM876 M103, ISM11 CM876 SN, M11 CELECT, M11 CELECT PLUS, M11 MECHANICAL, QSM11 CM570, QSM11 CM876			

©Cummins Inc



fe200gb

SMALL | MEDIUM | LARGE

Cart	Ref No	Part Number	Part Description	Required	Remarks
View My Cart					
		CI2705-02	Air Compressor Inlet		MR - INLET, AIR COMPRESSOR...(More)
					Engine Family: M11
<input type="checkbox"/>	1	3819871	O-Ring Seal	1	
<input type="checkbox"/>	2	3036230	Hexagon Head Cap Screw	1	M10 x 1.50 x 20
<input type="checkbox"/>	3	3600825	Air Intake Connection	1	
	4	3008465	Pipe Plug	1	1/8 NPT



© 2019 Cummins Inc., Box 3005, Columbus, IN 47202-3005 U.S.A.
Terms of Use and Disclaimers | Recommended System Requirements
Need Assistance? Please click on the Contact Us button in the top right corner of any page.